

IMPACT PRO Series

Fully automated continuous sealer packaging machine

PackagingIntelligence



IMPACK PRO Series

Fully automated continuous sealer packaging machine



Technical Specifications

	Impack 20 Pro	Impack 40 Pro	Impack 60 Pro	Impack 80 Pro	Impack 100 Pro
Sealer Bar Opening: 250mm	Max. Packaging Sizes (WxLxH): 150 x Unlimited x 200mm	350 x Unlimited x 200mm	550 x Unlimited x 200mm	750 x Unlimited x 200mm	950 x Unlimited x 200mm
Max. Conv. Speed: 30 mt/min (adjustable)	Cross Sealer Length: 300mm	530mm	800mm	920mm	1150mm
Max. Cycle: 60 cycle/min (example DIN A4 form)	Conveyor Belt Width (D): 200mm	400mm	600mm	800mm	1000mm
Max. Roll Diameter: 300mm standard (adjustable)	Max. Film Width: 650mm	650mm	1000mm	1000mm	1250mm
Working Height (E): 860mm	Installed Power (50-60Hz): 400V, 6 Ampere, 3 Phase	400V, 6 Ampere, 3 Phase	400V, 6 Ampere, 3 Phase	400V, 8 Ampere, 3 Phase	400V, 8 Ampere, 3 Phase
Air Consumption: No need*	Consumption (Max. / Average): 6 kW / 3 kW	6 kW / 3 kW	6 kW / 3 kW	7 kW / 4 kW	7 kW / 4 kW
Film Types: 7-40 µm PO, PP * V " Knife 40-80 µm PE, OPP * W " Knife	Dimensions (AxBxC): 1310x2080x1895mm	1510x2080x1895mm	1650x2640x2000mm	1950x2640x2015mm	2400x2640x2050mm
Color: Customised, (Mixed grey + RAL7015 + RAL7010)	Palletized Size (AxBxC): 1200x2270x1675mm	1400x2270x1675mm	2000x2955x1750mm	2140x2955x1795mm	2750x2955x1810mm
	Weight (Net / Gross): 624 kg / 690 kg	780 kg / 860 kg	1050 kg / 1170 kg	1410 kg / 1550 kg	1960 kg / 2180 kg

* Kissing Belt requires air. Air requirement: 6 Bar, Air Consumption: 0,08 liters / cycle

Advantages:

- Very compact and new esthetic 'Pro' design
- Continuous side sealer provides unlimited length packaging ability
- Very fast and flawless sealing property by Servo driven vertical sealer
- Easy to integrate with the production lines directly
- Recordable and re-callable package parameter settings

Features:

- Automatic length detection by sensor synchronized encoder control
- User-friendly color touch screen operator panel
- Automatic packaging film drive with tension control
- Automatic trim winder with tension control
- Feeding frequency control by sensor detection and PLC control

Sealing:

- Center-Seal property provides accurate and linear sealing line
- Adjustable precision and pressure on cutting and sealing force
- PID controlled sealing temperature inserted by touch panel
- Alternative sealing blade structures for various packaging material
- Product clearance control under seal bar by sensor

Flexibility:

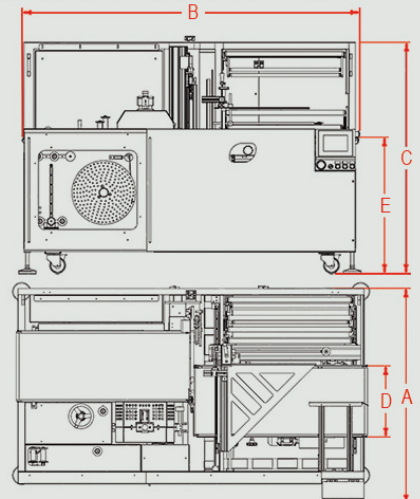
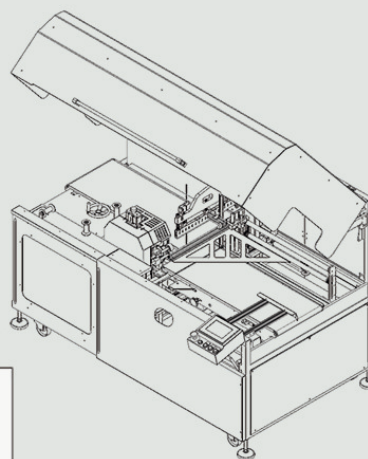
- Easily adjustable wrt. varying product sizes and capacity
- Various language options and adaptable touch keyboard
- Memory Receipt property for prompt adjustments
- Perfect sealing blade design compatible with varying thicknesses

Optional:

- Solenoid actuator for side sealer: Free of compressed air requirement
- Printed film applicability by marker detection sensor and programming
- Center folder system for single layer flat film applicaion
- Ability to control additional conveyors by inverters
- Linking Belt (compressed air is require*)

Quality:

- ISO9001 quality standards with the relevant norm's confirmation
- World-wide brands for all mechanical, electrical and pneumatic components
- CE certifications, complies with the latest CE directives
- One year warranty on non-wearable parts (extendable)
- Manufacturer's guarantee for spare part stock and after sales support
- Manufacturer's guarantee for spare part stock availability up to 5 years



R4 EN